

ASSEMBLY INSTRUCTIONS – Steps 1 to 10

- TOOLS needed: 1 philips screwdriver or 1 electric drill
- QUESTIONS: call 1-888-880-CUBE or for more info visit www.cubeinabox.com

PARTS LIST

- 2 x (A) post 2-way 57"H
- 1 x (D) post H 2-way 37"H
- 1 x (C) post 2-way 37"H
- 2 x (B) post 1-way 37"H
- 1 x (1) panel 8"H x 48"W
- 3 x (1a) panel 16"H x 24"W
- 1 x (1b) panel 16"H x 36"W
- 1 x (2) raceway panel 48"W
- 1 x (3) rail panel 48"W
- 1 x (4) panel 16"H x 48"W
- 5 x (5) panel cap
- 2 x (6) filer piece
- 5 x (7) work top bracket
- 1 x (7a) central cantilever
- 1 x (8) shelf 48"W
- 2 x (9) worktop set 60" x 48"
- 6 x (10) post cap kit

Tip for 8
First, slide down the 2 side parts (chromed wire) on posts, then place the shelf on top of the 4 black plastic supports

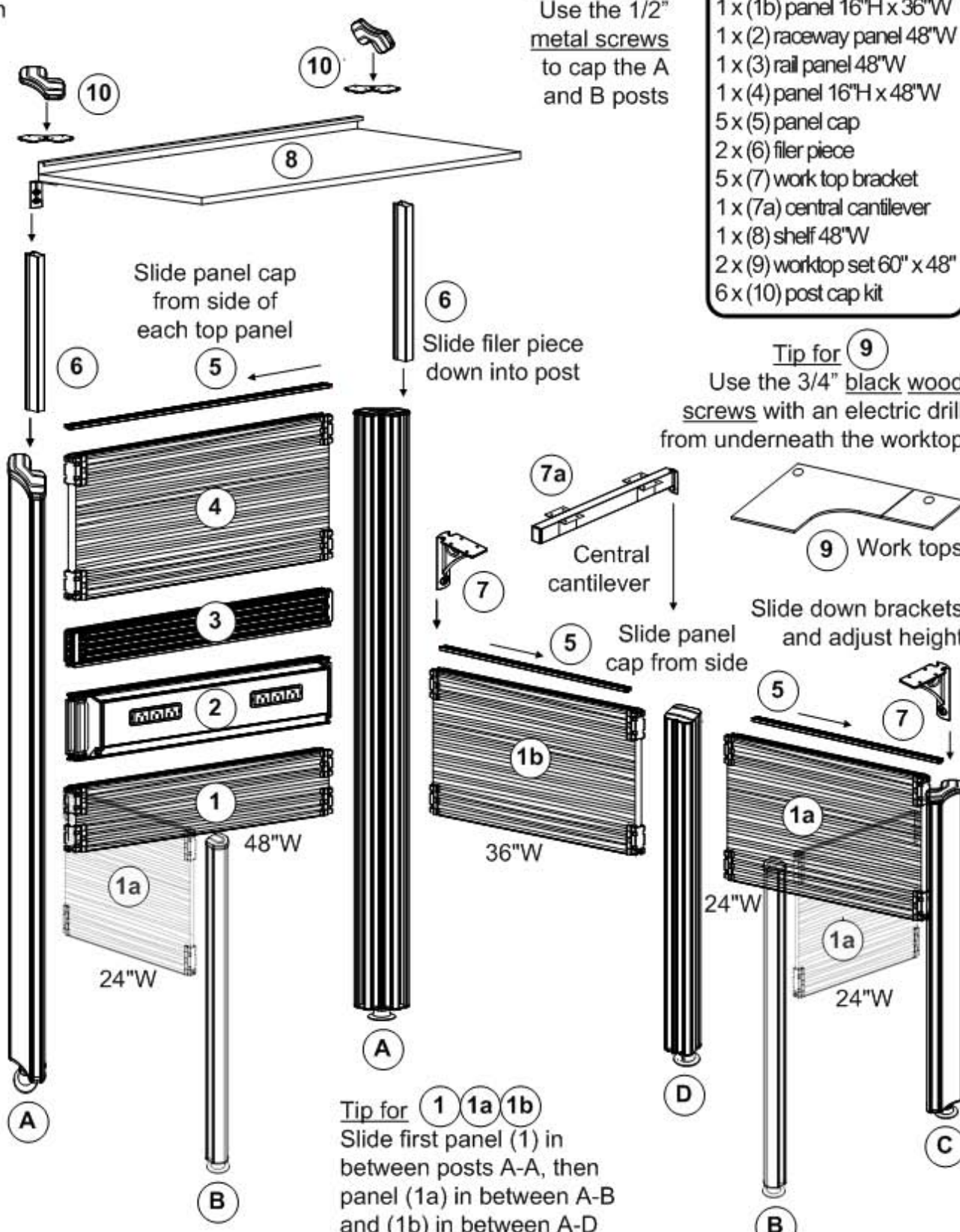
Tip for 7
Note the mark on each post to ease height adjustment. You can use a screw driver to squeeze the chromed screw

Tip for 3
The rail panel has to be installed facing up to allow trays to hang on it

Tip for 2
First, slide down the frame of the raceway in between posts A and A, then place the two "cavaliers" (small plastic molded parts) used to hold the doors on each side

Tip for 10
Use the 1/2" metal screws to cap the A and B posts

Tip for 9
Use the 3/4" black wood screws with an electric drill from underneath the worktop



Tip for 1 1a 1b
Slide first panel (1) in between posts A-A, then panel (1a) in between A-B and (1b) in between A-D